

Contact us if you have any issues or questions

Sales@ProWatercraftRacing.com or
[928-255-0230](tel:928-255-0230)



Installation Instructions Kicker Tray Extension

PW-###-610



QR Code takes you directly to the Install Video.



Tools Required:

Marker
Drill
3/16" & 3/8" Drill bit
1/2" Socket / Wrench
Silicone
Rivet gun
Loctite (recommended)

Supplied with Kit:

1 - Kicker Tray Extension
1 - U-bolt with plate
2 - nuts
4 - aluminum rivets

Hydrospace kicker receives no hardware.

READ ALL INSTRUCTIONS BEFORE BEGINNING INSTALLATION

- 1 Completely remove your bottom mat and rear bumper.
- 2 Place your kicker onto the rear of your tray and mark the 4 holes (2 front, 2 rear) with a marker. [Fig. 1]
- 3 Drill those marked areas with a 3/16" drill bit. Take note of how close the exhaust line is to the tray where you are drilling.
- 4 Take your Ubolt and evenly mark the spread of the Ubolt over the existing tie down hole. [Fig. 2]
- 5 Drill those marked areas with a 3/8" drill bit.
- 6 Remove the two nuts and plate on the Ubolt. Screw the two nuts back onto the Ubolt all the way. Feed the Ubolt up from the pump and through the tray where you drilled. Place the plate onto the Ubolt. Screw the two nuts on and tighten.

We highly recommend using Loctite for the last nuts.

- 7 Apply silicone to the edge of the kicker and put into place. [Fig. 3]
- 8 Align holes in the kicker and the drilled holes in your tray. Now slide the thick end of the rivet into the holes and use a rivet gun.
- 9 Wipe off any excess silicone and you're ready to install your mat kit!



Fig. 1

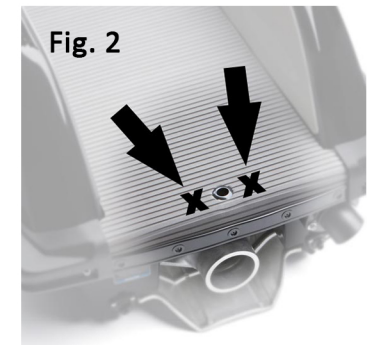


Fig. 2



Fig. 3

Hydrospace kicker?
Start here!

